

4.5mm WTW (YL) Series Connector:

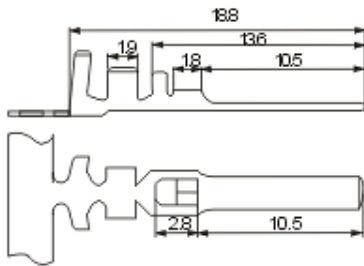


SPECIFICATIONS

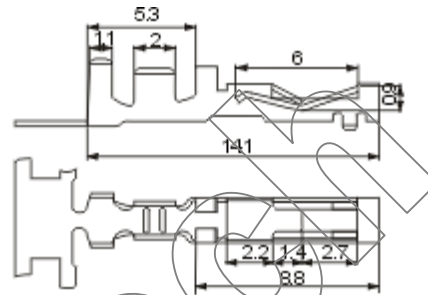
Pitch:	4.5 mm
Useable Wire Range:	AWG 26# ~ 16#
Current Rating:	10A, AC, DC
Voltage Rating:	300V, AC, DC
Operating Temperature:	-25°C ~ +85°C
Relative Humidity:	93%, +40°C
Dielectric Withstanding:	1500V AC/minute
Contact Resistance:	≤ 10 mΩ/Contact
Insulator Resistance:	≥ 1000 MΩ at 100V
Material:	Nylon66/ Nylon6T, UL94V-0
Housing:	Nylon66/ Nylon6T, UL94V-0
Terminal:	Phosphor Bronze

ROHS Compliance

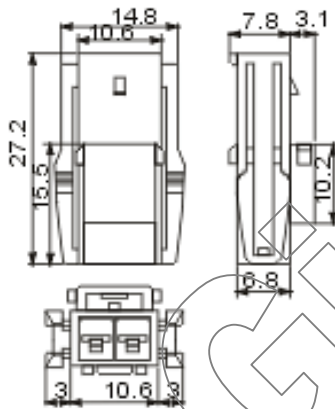
YL-R-T



YL-R



YL-2P-T



YL-2T

